

# 3M™ Water Filtration Products

SPEC# \_\_\_\_\_

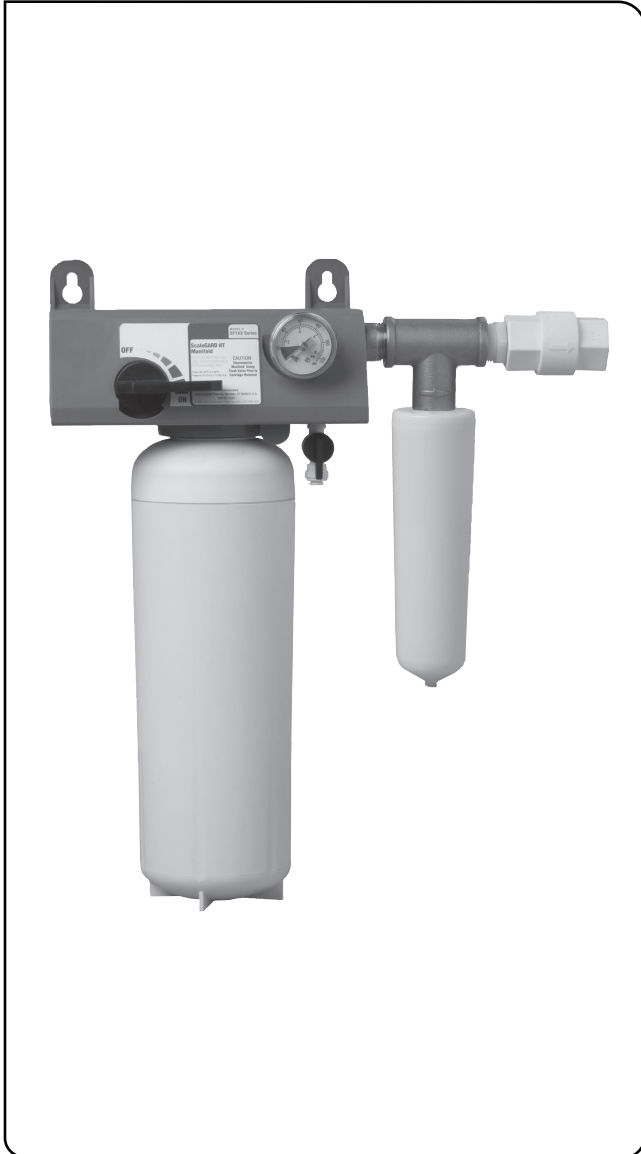
QUANTITY \_\_\_\_\_

application:

## SCALE CONTROL

model:

### SF165



The 3M Purification Inc. Water Filtration Products SF165 Scale-GARD™ HT System helps provide consistent Recipe Quality Water™ with reduced sediment and chlorine taste and odor. Operating cost savings from the controlled and metered addition of scale-inhibitors reduces the ability of calcium and magnesium to precipitate as hard scale in both high and low temperature applications, including ice machines, coffee, tea, espresso brewers and steamers\*.

- ScaleGARD HT, SF165 combines chlorine taste and odor reduction with sediment reductions and helps protect against the effects of scale formation at flow rates to 3.34 gpm (12.6 lpm) for 35,000 gallons (132,000 liters).

### PRODUCT BENEFITS

- Advanced Integrated Membrane Pre-Activated Carbon Technology (“IMPACT”) filtration media combines a membrane in series with premium activated carbon to provide superior throughput and cartridge life.
- Reduced sediment and chlorine taste and odor for equipment protection and great tasting hot and cold beverages and ice.
- A forced-feed orifice carefully controls and meters the addition of a proprietary scale inhibitor to reduce scale build-up on heating coils.
- Superior scale reduction performance in equipment from ice machines to equipment heating water to temperatures over 200°F (93°C).
- Sanitary Quick Change (SQC) HF65 encapsulated cartridge design allows for fast and easy change-outs with a 1/4 turn while minimizing the possibility of leakage and contamination.
- 3/4” FNPT inlet and outlet ports allow direct or easily adaptable connections to existing plumbing lines.
- FDA CFR-21 and/or NSF compliant materials.
- System includes a pressure gauge, inlet shut-off valve and outlet check valve for simple installation and operation.

### PRODUCT SPECIFICATIONS

Model Number	Part Number	Reduction Claims	Micron Rating	Capacity	Service Flow Rate	Application	Replacement Cartridge	Sizing
SF165	56186-01	Sediment, Chlorine Taste and Odor, Scale	3	35,000 gallons (132,000 liters)	3.34 gpm (12.6 lpm)	Normal to Hard Water	HF65 (56134-07) HF8-S (55821-06) Cartpak (56138-11)	Ice: Cubers to 1,200 lbs. (544 kg) Flakers to 2,400 lbs. (1,089 kg) Coffee Brewers and Steamers to demand flow rates of 3.34 gpm (12.6 lpm)

\* Periodic acid de-liming of heating coils is recommended for steamer applications.

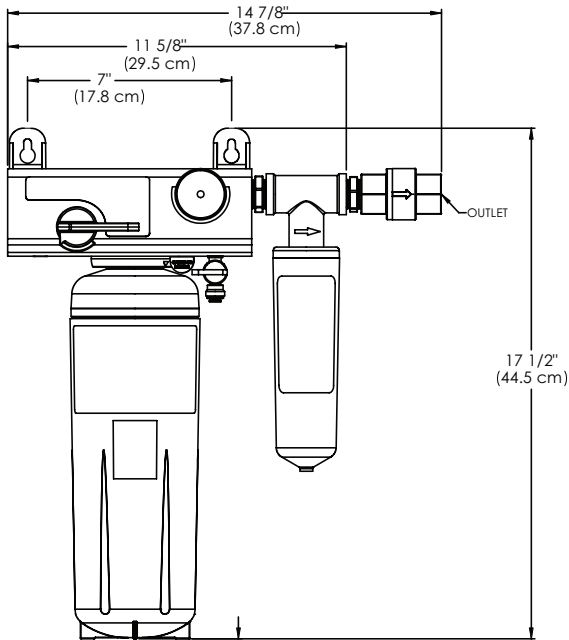


# SF165

SPEC# \_\_\_\_\_  
QUANTITY \_\_\_\_\_  
MODEL NUMBER \_\_\_\_\_  
PART NUMBER \_\_\_\_\_

# 3M Purification Inc. Water Treatment Products

## PHYSICAL SPECIFICATIONS



2 5/16" (5.87 cm) MINIMUM  
DISTANCE REQUIRED TO  
REMOVE CARTRIDGE

### ⚠ WARNING: To reduce the risk associated with the ingestion of contaminants:

- Do not use with water that is microbiologically unsafe or of unknown quality without adequate disinfection before or after the system.

3M Purification Inc. recommends regularly scheduled maintenance and replacement of the filter cartridge(s) in order for the product to perform as advertised/sold. 3M Purification shall not be liable for system failures due to improper maintenance.

## LIMITED WARRANTY

3M Purification Inc. warrants this Product will be free from defects in material and manufacture for five (5) years from the date of purchase: The filter cartridge or filter membrane is warranted to be free from defects in material and manufacture for one (1) year. This warranty does not cover failures resulting from abuse, misuse, alteration or damage not caused by 3M Purification Inc. or failure to follow installation and use instructions. No warranty is given as to the service life of any filter cartridge or membrane as it will vary with local water conditions and water consumption. **3M PURIFICATION INC. MAKES NO OTHER WARRANTIES OR CONDITIONS, EXPRESS OR IMPLIED, INCLUDING, BUT NOT LIMITED TO, ANY IMPLIED WARRANTY OR CONDITION OF MERCHANTABILITY OR FITNESS FOR A PARTICULAR PURPOSE OR ANY IMPLIED WARRANTY OR CONDITION ARISING OUT OF A COURSE OF DEALING, CUSTOMER OR USAGE OF TRADE.** If the Product fails to satisfy this Limited Warranty during the warranty period, 3M Purification Inc. will replace the Product or refund your Product purchase price. This warranty does not cover labor. The remedy stated in this paragraph is Customer's sole remedy and 3M Purification Inc.'s exclusive obligation. For additional information, see the entire Limited Warranty located in the product Installation and Operating Instruction Manual.

**Limitation of Liability:** 3M Purification Inc. will not be liable for any loss or damage arising from this 3M Purification Inc. product, whether direct, indirect, special, incidental, or consequential, regardless of the legal theory asserted, including warranty, contract, negligence or strict liability. Some states and countries do not allow the exclusion or limitation of incidental or consequential damages, so the above limitation or exclusion may not apply to you.

- System includes a manifold with built-in pressure gauge, inlet water shut-off valve, outlet check valve, mounting bracket, filter cartridge and scale-feeding system.
- Inlet and outlet plumbing connections are 3/4" FNPT.
- Filter cartridges are o-ring seal type.
- System maximum operating pressure of 125 psi (862 kPa) and operating temperatures of 100°F (37.8°C).
- Recommended service flow rate is up to 3.34 gpm (12.6 lpm)
- Filter cartridge incorporates carbon block media protected by a pleated pre-filter membrane.
- All wetted parts and media are FDA CFR-21 compliant.
- Cartridges are sanitary in design, requiring no contact with the filter media during cartridge change-out.
- Filter cartridges requires no pre-activation.
- Shipping Weight: 6 lbs. (2.7 kg).
- Operating Weight: 12 lbs. (5.4 kg).

## IMPORTANT: INSTALLATION TIPS

These installation tips are for informational purposes only and are not intended to be used as actual installation instructions. **CAUTION: To reduce the risk associated with property damage due to water leakage:**

- **Read and follow** Use Instructions before installation and use of this system.
- Installation and use **MUST** comply with all state and local plumbing codes.
- **Protect from freezing**, remove filter cartridge when temperatures are expected to drop below 40°F (4.4°C).
- **Do not install on hot water supply lines.** The maximum operating water temperature of this filter system is 100°F (37.8°C).
- **Do not install** if water pressure exceeds 125 psi (862 kPa). If your water pressure exceeds 80 psi (552 kPa), you must install a pressure limiting valve. Contact a plumbing professional if you are uncertain how to check your water pressure.
- **Do not install** where water hammer conditions may occur. If water hammer conditions exist you must install a water hammer arrester. Contact a plumbing professional if you are uncertain how to check for this condition.
- The disposable filter cartridge **MUST** be replaced every 12 months, at the rated capacity or if a noticeable reduction in flow rate occurs.



3M Purification Inc.  
400 Research Parkway  
Meriden, CT 06450 U.S.A.  
Toll Free: 1.800.243-6894  
Worldwide: 203.237.5541  
Fax: 203.630.4530  
www.3mpurification.com

3M is trademark of 3M Company.  
ScaleGARD and Recipe Quality Water are trademarks of 3M Company used under license.  
© 2011 3M Company. All rights reserved.  
LITFS313 0811B  
70-0201-9437-2  
Please recycle. Printed in U.S.A.